

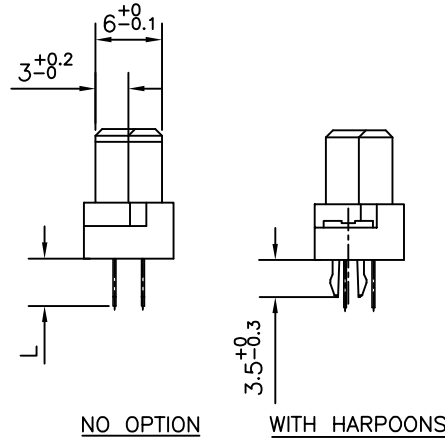
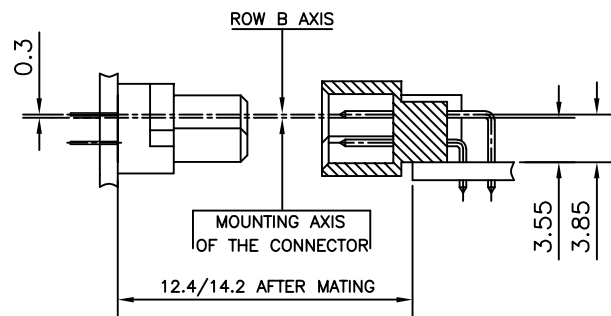
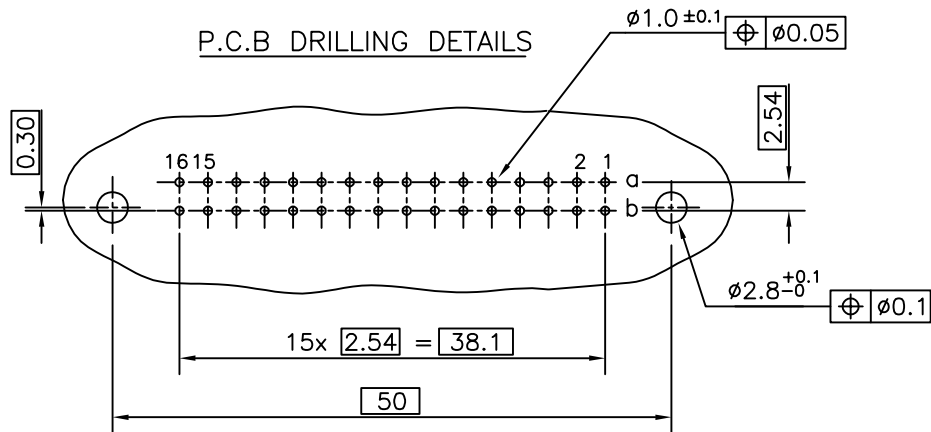
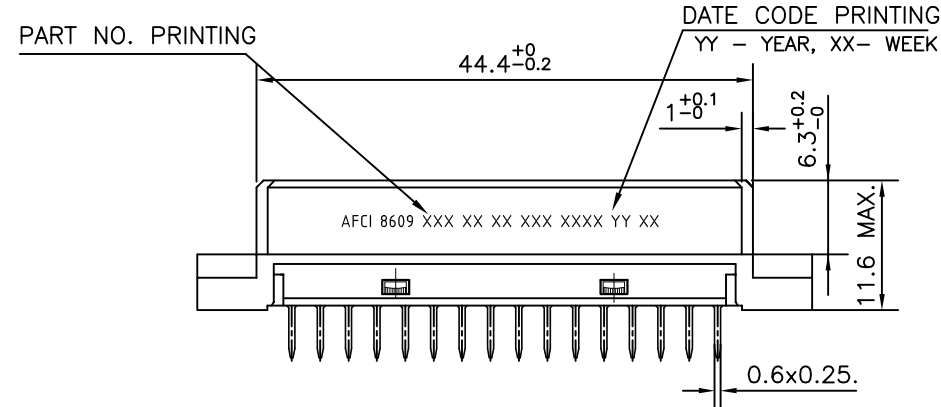
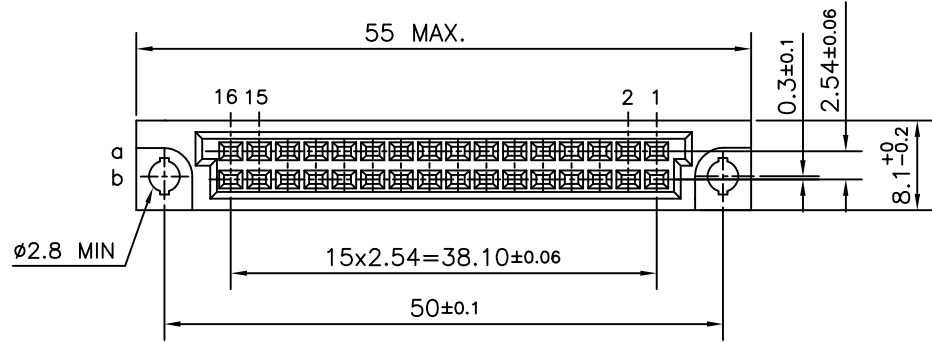


Amphenol
FCi

Copyright AFci

NOTES:

1. THE "LF" PRODUCTS MEET EUROPEAN UNION DIRECTIVES AND OTHER COUNTRY REGULATIONS AS DESCRIBED IN GS-47-0004.
2. LEAD FREE OR RoHS DIRECTIVE LABELING TO BE PROVIDED AS PER GS-14-920 FOR LEAD FREE VERSION.
3. FOR GENERAL CHARACTERISTICS AND RoHS INFORMATION, REFER DRAWING C-8609-0000A.



| | |
|-------------|-------------|
| 14 | 4.0 |
| 24 | 2.5 |
| TERM. STYLE | L +0.7 / -0 |

TECHNICAL SPECIFICATION

HOUSING MATERIAL : THERMOPLASTIC POLYESTER UL94V-0, GREY
 HOUSING CAN WITHSTAND EXPOSURE TO LEAD FREE WAVE SOLDERING TEMPERATURE OF 260-265°C FOR STRAIGHT CONNECTORS AS IT IS IN CLASSICAL LEAD WAVE SOLDERING AT 235-250°C

CONTACT MATERIAL : COPPER ALLOY
 CONTACT ACTIVE ZONE PLATING : GOLD / GXT™ OVER NICKEL
 CONTACT TERMINATION ZONE :
 LEAD FREE VERSION : TIN (PURE MATTE) OVER Ni

ELECTRICAL DATA

CURRENT RATING AT 20°C : 1.5 A
 CURRENT (I MAX) : 2 A
 TEMPERATURE RANGE : -55°C/+125°C
 CONTACT RESISTANCE : ≤ 20mΩ
 INSULATION RESISTANCE : ≥ 10⁶ MΩ
 TEST VOLTAGE (rms) : 1000V

MECHANICAL DATA

INSERTION FORCE PER CONTACT : ≤ 0.94N
 EXTRACTION FORCE PER CONTACT : ≥ 0.15N

REFERENCE SPECIFICATIONS : DIN 41612 / IEC 603-2

| | | | | | | | | | | |
|--|------|----|----|---|---|----|---|---|---|------|
| SERIES | 8609 | 2 | 32 | 6 | 3 | 14 | 7 | 5 | 5 | V1LF |
| ROWS FITTED WITH CONTACTS | | | | | | | | | | |
| Rows a - - - - - | 1 | 16 | | | | | | | | |
| Rows a b - - - - - | 2 | 32 | | | | | | | | |
| NUMBER OF CONTACTS | | | | | | | | | | |
| TYPE OF INSULATOR | | | | | | | | | | |
| 2 ROW FEMALE INSULATOR - - - - - | 6 | | | | | | | | | |
| METHOD OF MOUNTING | | | | | | | | | | |
| STANDARD MOUNTING - STYLE B/2 - - - - - | 3 | | | | | | | | | |
| TERMINATION | | | | | | | | | | |
| SHORT STRAIGHT SPILL (L - SEE TABLE) - - - - - | 24 | | | | | | | | | |
| LONG STRAIGHT SPILL (L - SEE TABLE) - - - - - | 14 | | | | | | | | | |
| OPTIONS | | | | | | | | | | |
| NO OPTION - - - - - | 7 | | | | | | | | | |
| WITH HARPOONS - - - - - | H | | | | | | | | | |
| PERFORMANCE CLASS | | | | | | | | | | |
| DIN 41612 CLASS 3 - - - - - | 4 | | | | | | | | | |
| DIN 41612 CLASS 2 - - - - - | 5 | | | | | | | | | |
| DIN 41612 CLASS 1 - - - - - | 6 | | | | | | | | | |
| AS PER MIL C 55302/ JSS 50808 - - - - - | 8 | | | | | | | | | |
| PITCH PER ROW | | | | | | | | | | |
| 2.54 - - - - - | 5 | | | | | | | | | |

V1LF - - - - - LEAD FREE VERSION

| | | | | | | | | | |
|-------------|--|----------------|--|------------------|--|------------|--|------------------------------------|--|
| mat'l. code | | surface | | tolerance | | projection | | product family | |
| - | | ISO 1302 ✓ | | ISO 406 ISO 1101 | | | | 8609 | |
| ltr | | ecn no | | dr | | date | | title | |
| A | | - | | MJA | | 2019-03-30 | | DIN STANDARD RECEPTACLE | |
| | | | | | | | | STRAIGHT SPILL DIN 41612 STYLE-B/2 | |
| | | | | | | | | scale - | |
| | | | | | | | | dwg no | |
| | | | | | | | | sheet 1 of 1 | |
| | | | | | | | | size | |
| | | | | | | | | A3 | |
| | | | | | | | | type | |
| | | | | | | | | Product Customer Drawing | |
| sheet index | | revision sheet | | A | | 1 | | | |

